

95057WK Wireless Thermostat Kit



Compatibility:

- Up to 3 Heat / 2 Cool Heat Pump Systems
Up to 2 Heat / 2 Cool Conventional Systems
- 24 VAC Gas, Oil or Electric Systems, Millivolt

Thermostat Features:

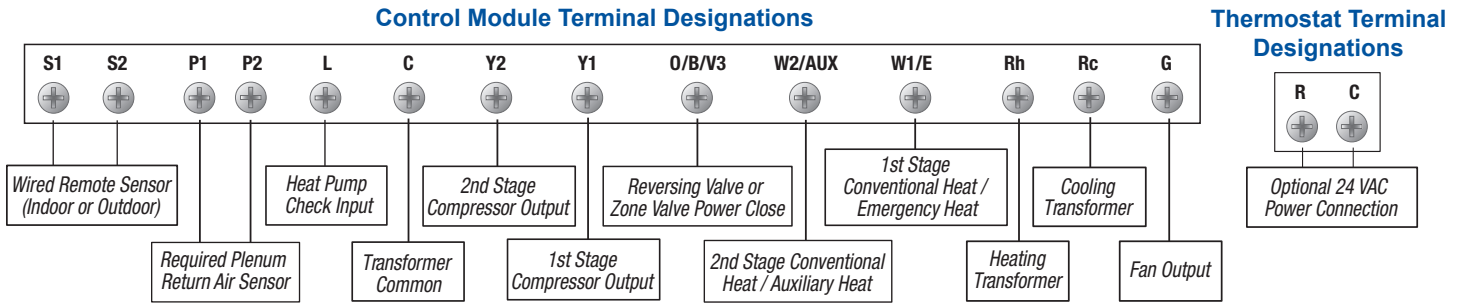
- 5-2, 7 Day or Non-Programmable
- Large 5 Sq. In. Backlit Display
- Auto or Manual Changeover
- Residential or Commercial Modes
- Battery Powered with Hardwire Option
- Compatible with 2 or 3 Wire Hydronic Zone Systems
- Auxiliary Heat Fossil Fuel Option
- Programmable Fan Control
- R and C Terminals for Optional 24 Volt Operation
- Adjustable Temperature Limits
- Multi-Level Keypad Lockout
- Quick Reference Instruction Card

Wireless Features:

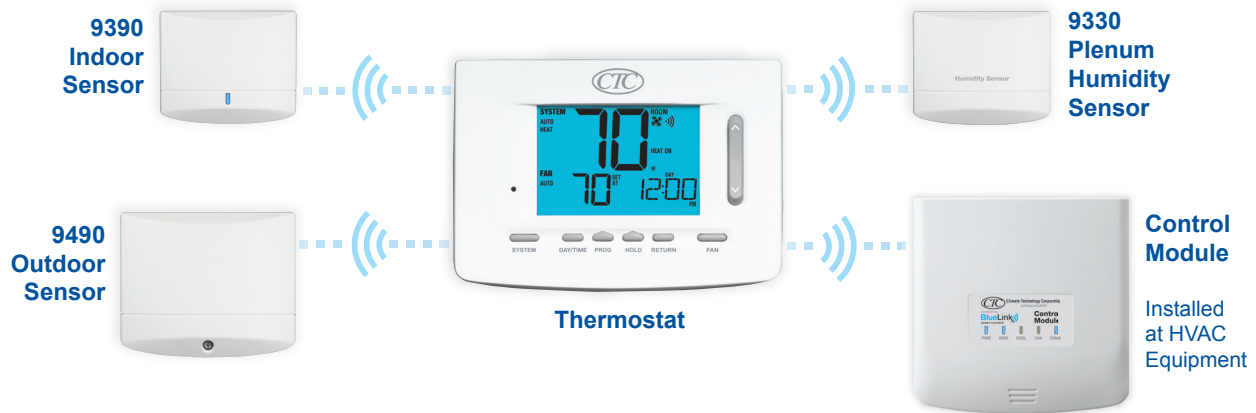
- Superior Wireless Range
- Battery Life Exceeds Virtually All Competitive Models
- Includes Return Air Sensor for Default Temperature Control Even if Batteries are Drained
- Connect up to 4 Optional Wireless Indoor Sensors for Remote Temperature Sensing*
- Optional Wireless Outdoor Sensing for Outdoor Temperature Display or Balance Point Control*
- Optional Wireless Humidity Plenum Sensor for Whole-House Humidification Control*
- Affordable Solution for Any Thermostat Application

*Up to 4 wireless remote sensors can be connected.





Total Installation Flexibility



Up to 4 wireless Sensors can be connected - see Installer Manual.

Product Specifications

Dimensions:	3.86" x 5.11" x 1.42"
Control Module Dimensions:	6.0" x 6.0" x 1.25"
Electric Rating:	24 Volt AC (18-30 Volt AC) 1 amp maximum load per terminal 5 amp total maximum load (all terminals)
DC Power:	3.0 Volts DC (2 "AA" Alkaline batteries included)
Optional AC Power:	18-30 Volt AC
Compatibility:	Heat pump systems up to 3 heat/2 cool, Conventional systems up to 2 heat/2 cool
Control Range:	45° to 90° F (7° to 32° C)
Display Range:	40° to 99° F (5° to 37° C)
Accuracy:	+/- 1° F (+/- .5° C)
Temperature Differential:	1st Stage - .5°, 1°, or 2° F (0.2°, 0.5°, or 1° C) 2nd and 3rd Stage - 1°, 2°, 3°, 4°, 5°, or 6° F (.5°, 1°, 1.5°, 2°, 2.5°, or 3° C)
Storage Temperature:	14° to 140° F (-10° to 60° C)
Operating Humidity:	5% to 95% Relative Humidity
Terminations:	S1, S2, P1, P2, L, C, Y2, Y1, O/B/V3, W2/AUX, W1/E, Rh, Rc, G

Shipping Information

INDIVIDUAL CARTON
Dimensions: 7.25" x 6.6" x 4.0"
Weight: 1.85 lbs.

MASTER CARTON
Quantity: 3
Dimensions: 12.25" x 7.5" x 7.25"
Cubic Feet: .39
Weight: 6.1 lbs.

CTC 95057WK Replaces*

Braeburn® 7500
Honeywell® YTH5320R, YTH6320R,
H8110R*, TH8320R*,
TH8321R*

Emerson® 1F98EZ-1621
Pro1® T955W, T955WH

*Verify specific application requirements. All trademarks are the property of their respective owners.
**Requires separate Wi-Fi key.

Accessories

9330 Wireless Remote Humidity Sensor	6390 Wired Remote Indoor Sensor
9390 Wireless Remote Indoor Sensor	6490 Wired Remote Outdoor Sensor
9490 Wireless Remote Outdoor Sensor	BTG-UN Universal Thermostat Guard